

OLYMPUS[®]

DIRECTREC

DR-1200

DR-2100

DR-2200

DR-2300

INSTRUCTIONS

Thank you for purchasing an
Olympus DIRECTREC.

Please read these instructions for information
about using the product correctly and safely.
Keep the instructions handy for future reference.

To ensure successful recordings, we recommend that you test the
record function and volume before use.

EN

Introduction

- The contents of this document may be changed in the future without advanced notice. Contact our Customer Support Center for the latest information relating to product names and model numbers.
- The illustration of the **Directrec shown** in this manual may differ from the actual product. The utmost care has been taken to ensure the integrity of this document but if you find a questionable item, error or omission, please contact our Customer Support Center.
- Any liability for passive damages or damage of any kind occurred due to data loss incurred by a defect of the product, repair performed by the third party other than Olympus or an Olympus authorized service station, or any other reason is excluded.
- OLYMPUS IMAGING CORPORATION holds the copyrights for instructions (this manual).

Trademarks and registered trademarks

- Microsoft and Windows are trademarks or registered trademarks of Microsoft Corporation.
 - Macintosh and Mac OS are trademarks or registered trademarks of Apple Inc.
- Other product and brand names mentioned herein may be the trademarks or registered trademarks of their respective owners.

Safety precautions

- **Do not disassemble, repair or modify the unit yourself.**
- **Keep young children and infants away from the Directrec. Winding the cable around the neck could cause accidental strangulation.**
- **Disconnecting the cable while the Directrec is recording/deleting could damage the unit making it unusable.**
- **Do not leave the Directrec in places where it could be exposed to high humidity, high temperature or direct sunlight, like inside a vehicle.**
- **Do not store the Directrec in humid or dusty environments.**
- **If the Directrec is wet, wipe it immediately with a dry cloth. Salt water can be particularly dangerous.**
- **Do not use alcohol or lacquer thinner to clean the unit.**

- **Do not cover the Directrec with sand or mud, since the unit could receive an irreparable damage.**
- **Do not subject the Directrec to severe shocks or vibrations.**
- **Leaving magnetic cards near the Directrec's speaker may lead to unusual behaviors of the data stored in the card.**

Main features

This product is equipped with the following features.

- **New design and location of buttons enable single-handed control without ever having to visually check the placement of buttons. Directrec fits easily into your hand providing effortless control coupled with superb dictation experience.**
- **Rated with DNS Score 6 (highest rate), Directrec is the perfect device for speech recognition.**
- **Equips a directional microphone that avoids undesired background noise and allows clear and precise recordings.**
- **You can choose your own button placement since all the buttons are fully customizable.**
- **USB Audio Device Directrec, can be used as a USB microphone or USB speaker when connected to a PC. In addition a powerful built-in speaker provides hi-fidelity acoustic playback.**
- **Directrec can save a recording as a file on a PC in PCM format.**

Operating environment

**Make sure that your computer meets the minimum requirements listed below.
Please check with your system administrator or your Olympus Professional Dealer.**

Windows

Operating System:

Microsoft® Windows® XP Service Pack 3 (32bit/64bit)

Microsoft® Windows Vista® Ultimate/Enterprise/Business Service Pack 1 (32bit/64bit)

Microsoft® Windows® 7 Ultimate Professional (32bit/64bit)

CPU/RAM:

At least meeting the minimum requirements for the operating system in use

USB port:

One or more free ports

Macintosh

Operating System:

Mac OS X 10.4.11 - 10.6

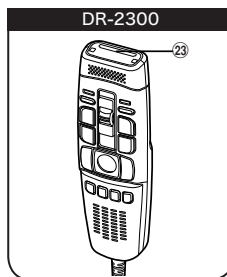
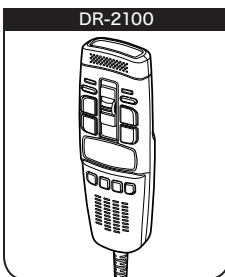
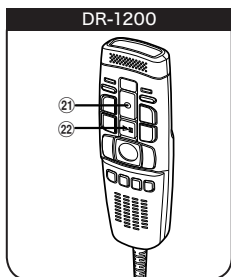
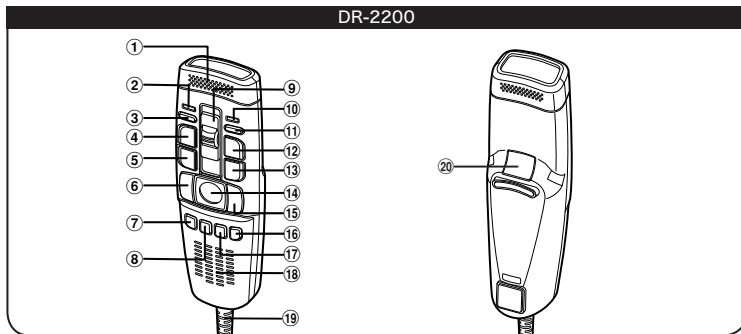
CPU/RAM:

At least meeting the minimum requirements for the operating system in use

USB port:

One or more free ports

Identification of parts



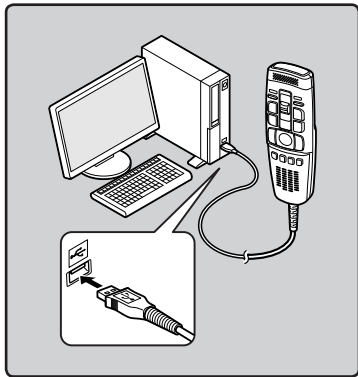
- | | |
|--|---|
| <ul style="list-style-type: none"> ① Built-in microphone ② Recording three color LED (red, green and blue) ③ Volume down button ④ NEW button ⑤ REW (Rewind) button ⑥ LEFT button ⑦ F1 (Function 1) button ⑧ F2 (Function 2) button ⑨ Slide REC (Record)/STOP/PLAY/REV (Review) switch ⑩ Insert Recording LED (green) ⑪ Volume up button | <ul style="list-style-type: none"> ⑫ Insert / Overwrite button ⑬ FF (Fast Forward) button ⑭ Trackball ⑮ RIGHT button ⑯ F4 (Function 4) button ⑰ F3 (Function 3) button ⑱ Built-in speaker ⑲ USB cable ⑳ BACK button ㉑ REC button ㉒ PLAY/PAUSE button ㉓ Barcode slot |
|--|---|

Connecting to your PC

The Directrec can be used as a USB speaker or microphone when connected to a PC. If you use the Directrec as a USB speaker, you can output voice through the Directrec instead of using the PC speaker.

When used as a microphone, you can record voice on your PC using your favorite application.

Connecting to your PC using the USB cable



- 1 Connect the Directrec USB cable directly into the USB port or USB hub of your PC.

Disconnecting from your PC

- 1 Disconnect the Directrec USB cable from your PC USB port or USB hub.

Windows

- Go to the Windows **[start]** menu, →**[Control Panel]**→**[Sounds and Multimedia]** and then select **[Audio]**. Open the **[Audio]** window and select USB Audio Device as the setting for “Sound Playback” and “Sound Recording”.

Macintosh

- Go to the Macintosh **[Apple menu]**, →**[System Preferences]** and then select **[Sound]**. Open the **[Sound]** window and select USB Audio Device as the setting for “Output” and “Input”.

Notes

- Some PCs and USB hubs may not supply sufficient power and the Directrec fails to connect. Refer to your PC User’s Manual regarding the USB port or USB hub on your PC.
- When using a USB hub to connect the Directrec, always use a self-powered (AC adapter) USB hub.
- Never disconnect the USB code while the record/play indicator light is flashing. If you do, the data will be destroyed.

Specifications

- **Recording format:**
PCM 16bit 44.1kHz mono
- **Input level:**
- 70 dBv
- **Microphone frequency response:**
XXXXXXXXXXXXXXXXXXXXXXX
- **Speaker acoustic frequency response:**
XXXXXXXXXXXXXXXXXXXXXXX
- **Output power:**
300 mW (8Ω speaker)
- **External dimensions:**
155 mm × 44.5 mm × 32.5 mm (without protrusions)
- **Weight:**
XX g (DR-1200), XX g (DR-2100), XX g (DR-2200), XX g (DR-2300)
- **Cable length:**
2.5m
- **Plug shape:**
USB connector A type

Technical assistance and support

The following is contact information for technical support for Olympus **Directrec** only.

- **Technical Hotline Number in the U.S. and Canada**
1-888-553-4448
- **User Support E-mail address in the U.S. and Canada**
distec@olympus.com
- **Technical Hotline Number in Europe**
Toll free number: 00800 67 10 83 00
available for Austria, Belgium, Denmark, Finland, France, Germany, Italy, Luxemburg, Netherlands, Norway, Portugal, Spain, Sweden, Switzerland, United Kingdom
Charged numbers for the Rest of Europe
+ 49 180 567 1083
+ 49 40 23773 4899
- **User Support E-mail address in Europe**
dss.support@olympus-europa.com